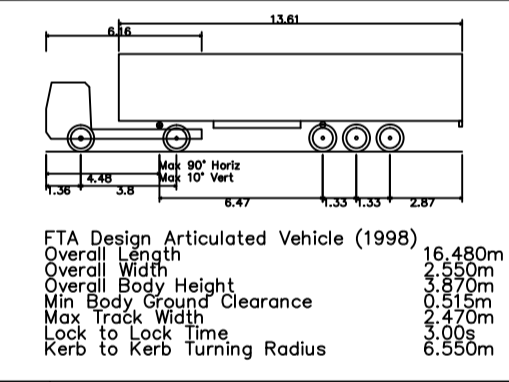


Notes

1. ALL DIMENSIONS ARE IN METERS UNLESS STATED OTHERWISE.

Key to symbols



Rev	Date	Drawn	Description	Ch'k'd	App'd
A	25/07/14	ML	ALIGNMENT UPDATED	ACK	SW



Client
 arc21
 Walsh House
 Fortwilliam Business Park
 35 Dargan Road
 Belfast BT3 9LZ

Title
 ARC 21 RESIDUAL WASTE TREATMENT PROJECT
 PROPOSED VEHICLE SWEPT PATH ANALYSIS AND VISIBILITY SHEET
 SHEET 4 OF 4

Designed	MK	02/08/12	Eng.Chk.	SW	02/08/12
Drawn	DS	13/08/12	Coordination	DMcF	02/08/12
Dwg.Chk.	DJM	02/08/12	Approved	SW	02/08/12
Scale @ A1	1:500		Project	5090959	Status
Drawing No.	GE-C-BOG-XX-037		CAD file	GE-C-BOG-XX-037-A.dwg	T
					Rev A